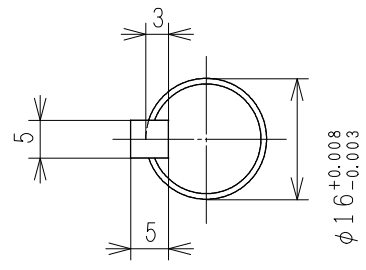
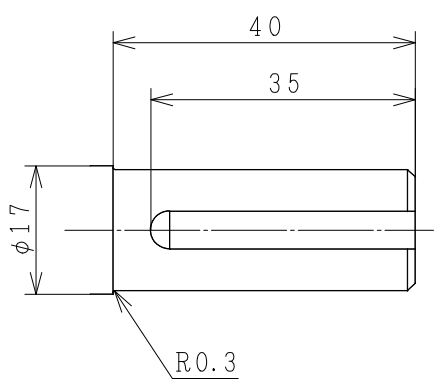
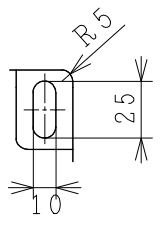
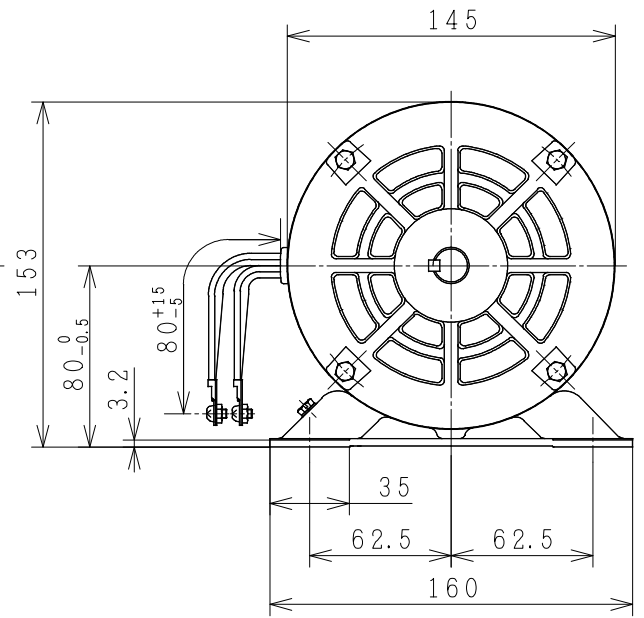
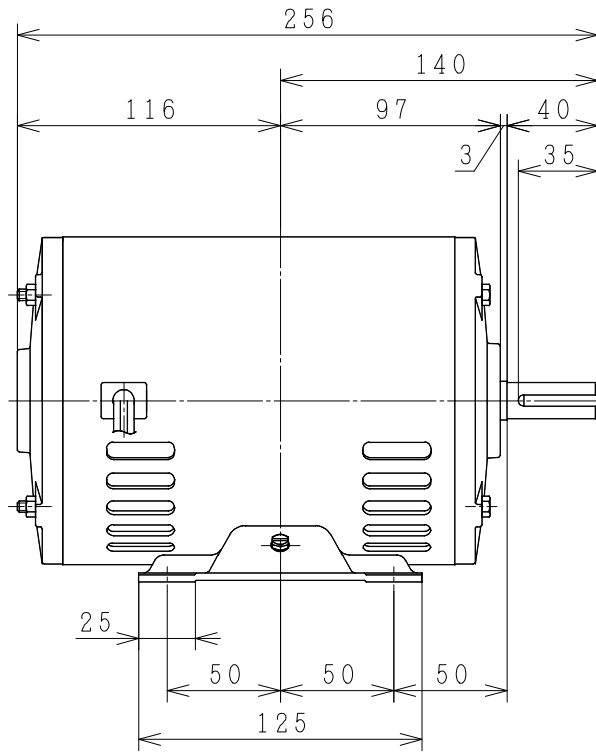


SPLIT PHASE START SINGLE PHASE INDUCTION MOTOR

OUTPUT	TYPE	FORM	RATING	VOLTAGE (V)	FREQ. (Hz)	SYNC. SPEED (min ⁻¹)	POLES	INS. CLASS	MASS (kg)
1/2HP	EFOUP	KT	S1	220V	50	1500	4	E	



PROJECTION

CUSTOMER			QTY.	ORDER No.	WORK No.	REV.	
DWN.	P. Tianchai	09-JUNE-2015	<div style="display: flex; justify-content: space-around; align-items: center;"> <div style="font-size: 2em; font-weight: bold;">DIMENSIONS</div> <div style="text-align: center;"> HITACHI <small>Hitachi Industrial Technology (Thailand), Ltd.</small> </div> <div style="font-size: 1.5em; font-weight: bold;">4HTD03097</div> </div>			HITT WORKS DWG. No.	SH.
CHKD.	W. Thawat	}					
APPD.	T. Shimozono						
FRAME SIZE			EFOUP-KT (80)				